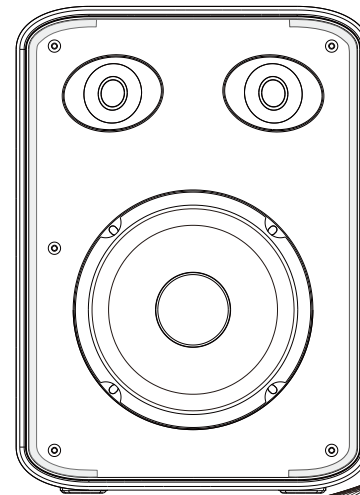


**USER MANUAL**  
Quick Start Guide



***TRUE SOUND***



For proper use, please refer to  
this quick start guide.



# Technical Specifications

## MODEL: K7 – Portable Bluetooth Speaker

Frequency Response	40Hz-20KHz(±6dB)	Speaker Size	Woofer.1x6.5" Tweeter.2x1"
SPL	105dB/1m/1W	Sensitivity	86dB
SNR	≥81dB	THD+N	≥1% (50W/1kHz)
Impedance	Woofer: 4 ohms(±15%)	Directionality	120°Hx90°V
Preset EQ	Tripling EQ (General or Bass Boost)	Rated power	80 W
Bluetooth Version	5.3	Bluetooth Range	10m (No obstructions)
Charge port	Type- C	Audio Connecting	BT 5.3 Type-C 6.3 MIC INPUT AUX IN USB 1.0
Charge time	3hours	Audio Play Time	4 Hours*
Battery type	Li-ion polymer 4000mAh	Standby time	300Days
Dc power input (Optional)	DC input12V@5A	Charge Voltage & Current	DC5V@2A
Product size(HWD)	335*250*280mm	Net Weight	5.8kg
Package size(HWD)	415*350*325mm	Gross Weight	7.3kg

\* Play time estimated using 70% rated power.

# Important safety precautions

**Before use, please carefully read this user manual and familiarize yourself with the product's operating methods to ensure long-term and trouble-free operation of the equipment.**

\*The product will be improved and upgraded, which may result in differences between the description in the manual and actual operation. Please make your own adjustments.

### Important information

Please read and understand all instructions before using this product. Damage caused by failure to comply with the instructions is not covered by the warranty.

### Safety warning!

This product cannot be waterproof in the operating environment. Please keep this product dry: If water spills into the interior of the product, please immediately turn off the power switch and contact the Customer service center. Follow the instructions of the customer service center to dispose of the product before use to avoid electric shock. Do not place this product and accessories near open flames or other heat sources, including direct sunlight, to avoid fires. If transporting this product at a low dry temperature of 5 °C, please unpack the product and wait for its temperature to reach room temperature before connecting it to a power outlet. Please install this product in a closed space. Be sure to leave at least 4 inches of space around the product for ventilation.

### Electricity safety

Lightning and lightning weather, please unplug the power cord. Before connecting this product to a power outlet, please ensure that the power voltage matches the voltage value printed on the back or bottom of the product. If the voltage is different, do not connect the product to a power outlet to avoid short-circuits.

### Maintenance and upkeep

Please use a microfiber cleaning cloth to clean this product. Please find qualified service personnel for all maintenance services.

### Environmental protection

This product is manufactured using recyclable high-performance materials and components. Please dispose of this product together with other household waste that is applicable to the laws of your country/state/province and region. Please understand the local regulations regarding the classification and collection of electronic, electrical products, and batteries. Properly disposing of these products helps to avoid potential negative impacts on the environment and human health.

Special Declaration of Intellectual Property Rights: The hardware design and software program of this product are protected by copyright. If the content of this product and manual is copied without authorization from our company, we will bear corresponding legal responsibilities.

If customers use self-equipped audio cables, it is necessary to ensure the shielding performance of the cables. This manual is for reference only, and the actual functions of the products ordered and received by the customer shall prevail.

The pictures/graphics depicted are only for reference, please refer to the actual product. Our company reserves the right to make improvements and changes to the appearance and design of our products without prior notice.



This symbol indicates that there is a dangerous voltage in this equipment that may cause electric shock



Dangerous voltage that may cause electric shock when used in non-tropical areas



This symbol indicates that there are important operation and maintenance instructions in the manual attached to this equipment.



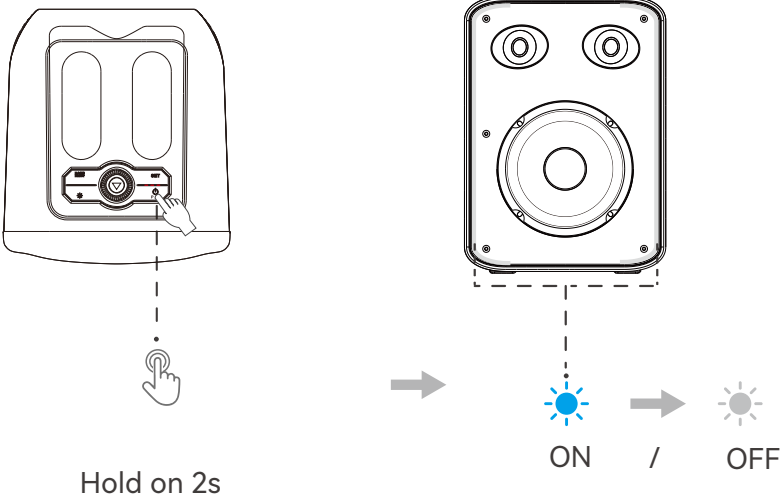
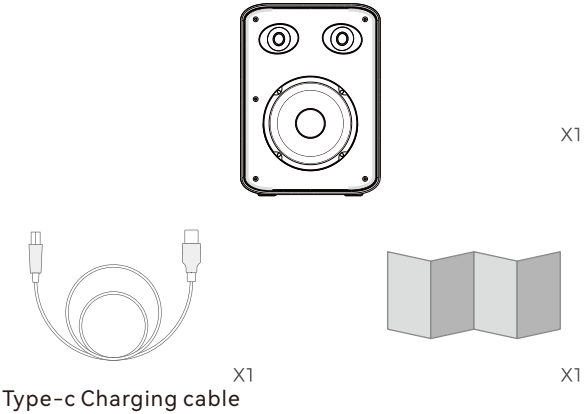
Use below 2000 meters above sea level



Don't throw in the trash can

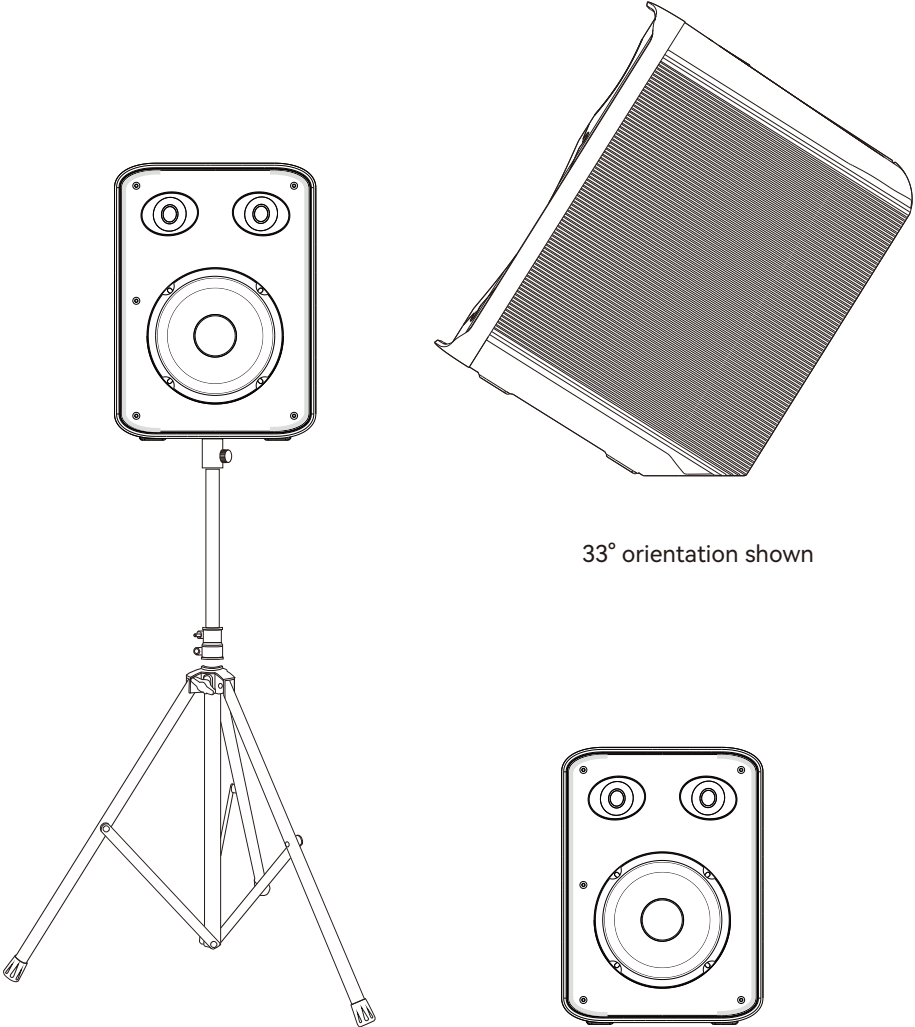
**Warning:** The voltage in this device is fatal. There are no user-serviceable parts in the device. All maintenance should be performed by qualified maintenance personnel. If the working voltage set by the manufacturer is changed, the safety certificate is no longer applicable.

# Package List



Auto OFF: - No connection for 10min.  
 Auto Disconnect: - Occurs after BT connection has received no audio for 30 min.


# How to place speaker



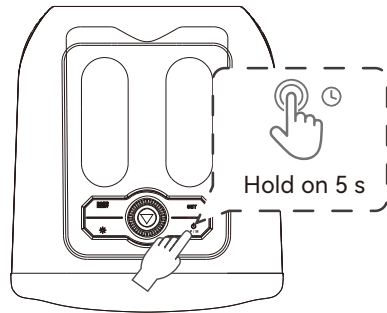


# Restore factory setting

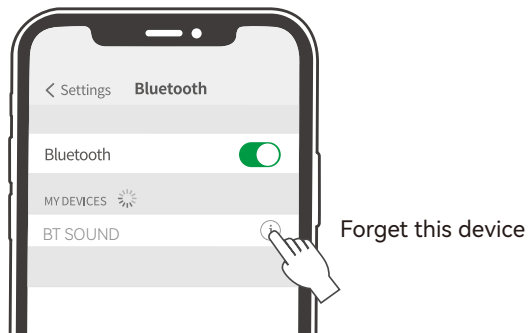
## Reset Speak:

Reset speaker: After the speaker is powered on, press and hold for  5 seconds to clear all Bluetooth records and TWS.

Turn off the speaker and then turn it on again to initiate new Bluetooth pairing.

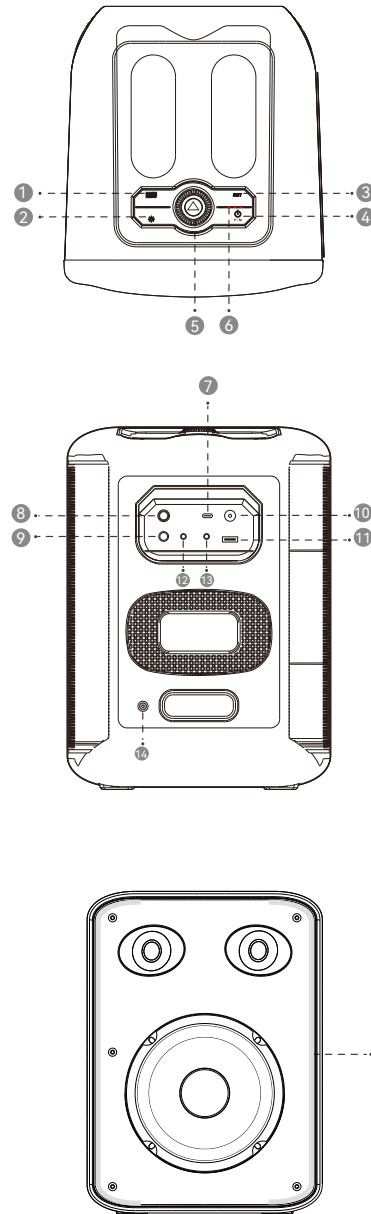


\* You might need to Reset the Speaker if it's not in correct connection with your devices.  
\*After the reset, remove "BT SOUND" from your device first and then search the pair name again.



After the rest is successful, make sure the speaker is powered off and on again before starting a new connection.

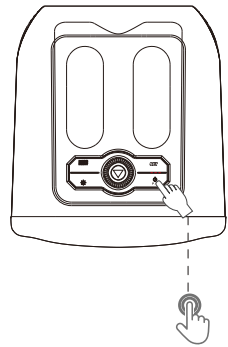
# Diagram



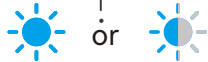
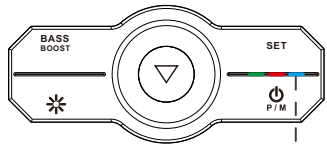
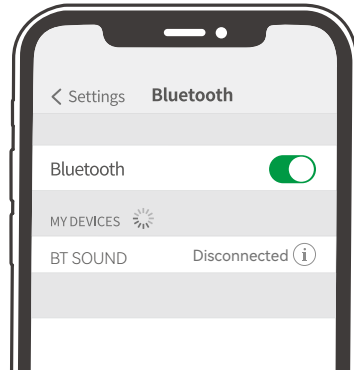
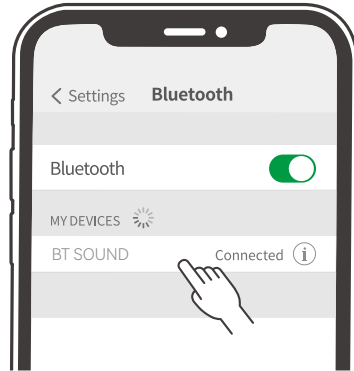
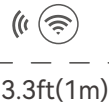
1. General EQ or Bass Boost Mode Selection.
2. RGB Light Power ON/OFF.
  - Single press to switch different color style.
  - Press 2S to turn on/off the lighting effect.
3. Voice navigation function switch button. (Microphone volume/microphone high and low frequency/microphone effect/Instrument volume)  
Adjust the size key is operated on the No.5 knob, and the volume is displayed according to the RGB lamp
4. Power ON/OFF Button.  
Press once to turn on the speaker  
Press and hold for 5 second to turn off the speaker
5. Volume+/Volume-/Play/Pause/Previous song /Next song.  
Check remaining battery capacity with speaker on:  
Turn volume button once, and wait 2 second, and notice color of LED shown.
  - Green - battery level is greater than 30%
  - Yellow - battery level is between 20% and 30%.
  - Red - battery level is less than 20%.
6. Function indicator light.(shown no page 5).
7. Type-c charging port.(OTG)Digital live streaming interface.
8. Instrument input (6.35mm).
9. Microphone Input (6.35mm).
10. TWS connection button.((shown no page 9).
11. USB - A Port: you can play MP3 music through memory stick .
12. 3.5mm Four-core LINE-IN audio input/mobile phone analog live broadcast port.
13. 3.5mm Three-core LINE-IN audio output.
14. DC 12V/5A DC power input.
15. RGB Light.



# Wireless Connection



Press Once  
Switch to Bluetooth mode

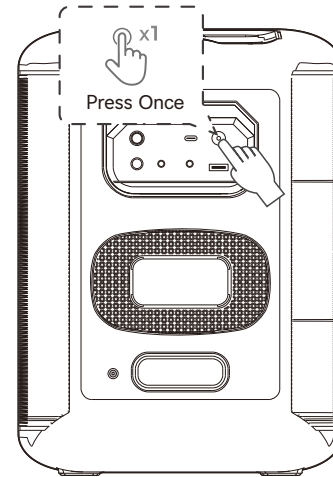


Connected:Blue light Disconnected:Flashing blue

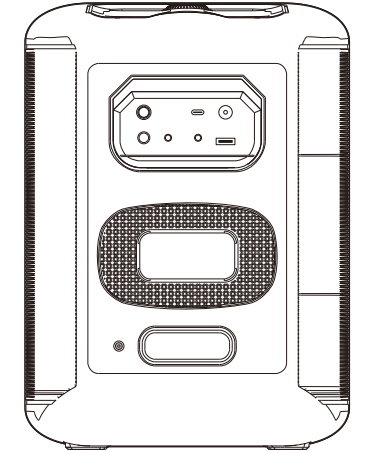
\*Priority: USB > Aux > BT.

Note: when using USB disk or Aux cable to play music the BT connection/BT re-connection is disabled.

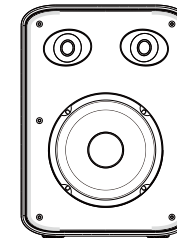
# TWS Connection (True Wireless Stereo )



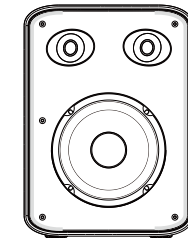
main unit/left channel



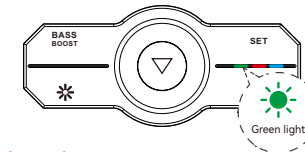
sub unit/right channel



Speaker 1



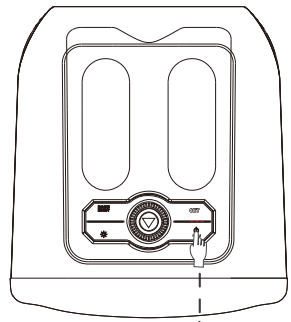
Speaker 2



## True Wireless Stereo (TWS)

- 1.Make sure both speaker is turn on, and in bluetooth ready state. Press any TWS button to connect.
- 2.When TWS/BT light turn green, with audio prompt, TWS connected, Secondary speaker's TWS/BT green light flashing.
- 3.Cancel TWS connection: After disconnecting TWS, press and hold both speakers P/M button for 5 seconds. Shut down and restart the device.
- 4.Microphone must connect to primary speaker under TWS mode.

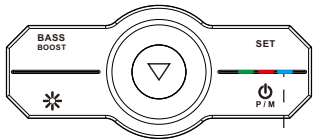
# Switch Between 2 Wireless Devices



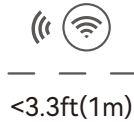
Press Once



Phone A



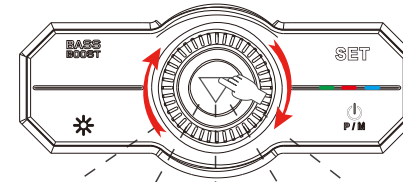
Blue light



Phone B

When the speaker is connected, click the wireless button to disconnect the current connection, the speaker will flash blue with a prompt tone. Switch to another Bluetooth device to start the new pairing.

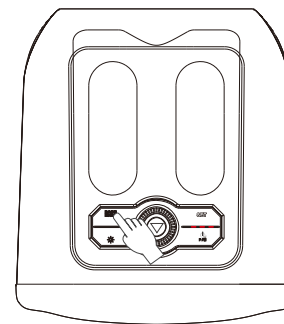
# Top button description



Counterclockwise rotation (Reduce volume)    Press three times (Previous Song)    Press Once (Pause)    Press twice (Next Song)    Clockwise rotation (increase volume)

Rotate the knob to view the volume and battery capacity

## EQ Effect



One Click

Click to cycle through selection

- \*EQ1:0dB universal mode
- \*EQ2:Bass enhancement +3dB
- \*EQ3:Bass enhancement +6dB

## Indicator Light Description



CHARGE    POWER    TWS/BT

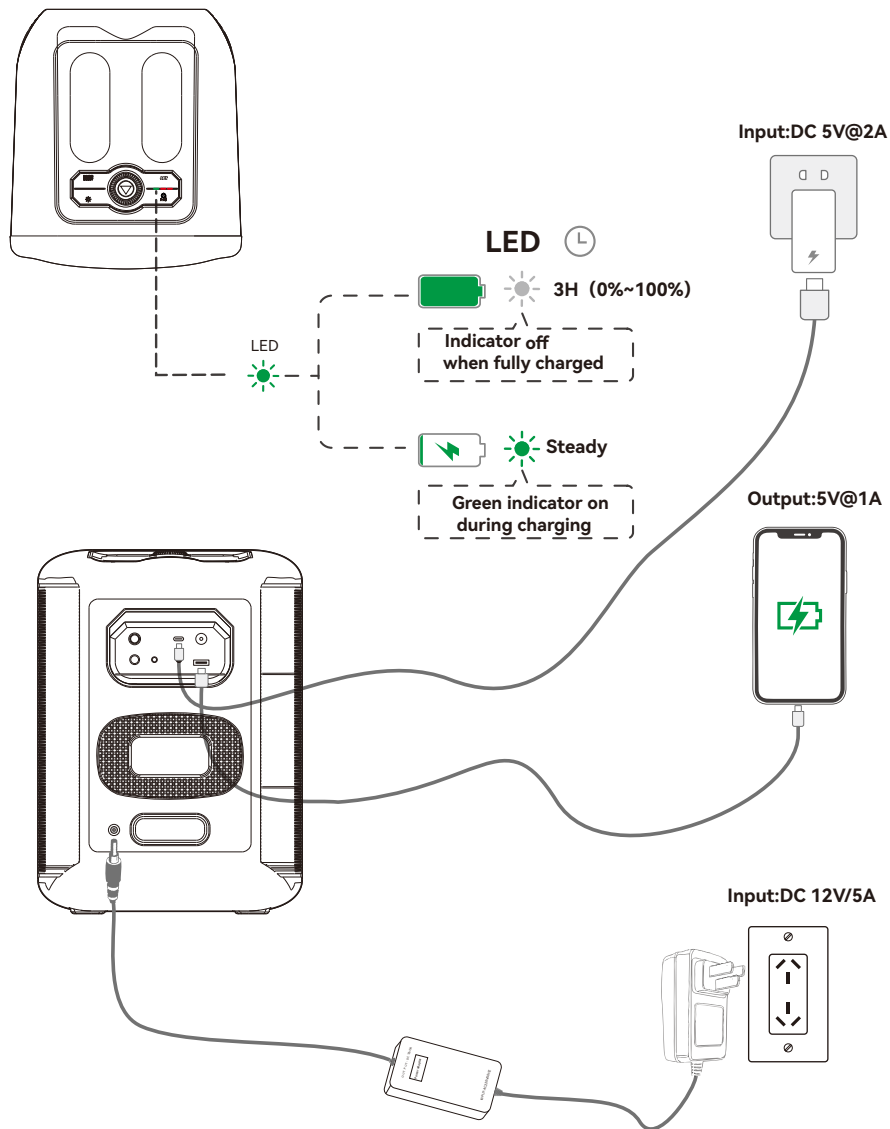
**TWS/BT:** When connected in TWS mode, the secondary unit flashes, Bluetooth mode is always on and flashes when Bluetooth pairing is successful.

**POWER:** Always on when the power is turned on, flashing when voltage is low, and the power amplifier function is turned off.

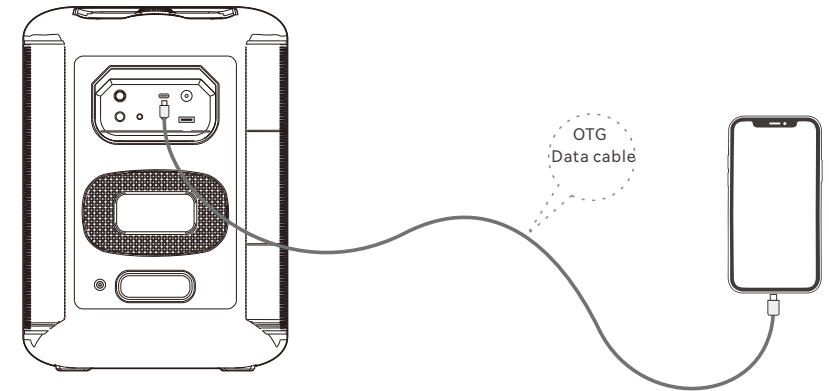
**CHARGE:** Charging is always on, flashing when battery fail or temperature is too high



## Charging Indicafor



## OTG Digital recording



**Internal recording:** The phone only records the sound through the speaker device, and external noise and noise cannot be recorded to ensure the purity of the sound.

### Android/Live recording on mobile phone:

Android /Harmony OS, and tablets require downloading third-party APP software to record videos using the recording function provided by the software.

### IOS mobile recording live streaming:

After connecting to the OTG internal recording cable on Apple phones and tablets, turn on the built-in recording function to record videos (third-party software can also be used).

Live recording: After connecting the OTG recording cable, open the app's live streaming function to transmit the speaker signal to the phone.

\*To reduce background noise during live recording, do not use AC power to power speakers, mobile phones, and other devices. Battery powered devices have lower background noise, and OTG live recording cables should not fall to the ground. When not in use, unplug the audio cable to avoid idle interference.