

WEB: [Http://www.grfaudio.com](http://www.grfaudio.com)

EMAIL: Sales@grfaudio.com



ADD: Dengyun Ave.#10-10, Tangbudong Village, Nancun Town, Panyu District, Guangzhou, China. POST: 511442
TEL: +86 20 3482 9600, 3482 9608 FAX: +86 20 3482 9608



Please read this user manual carefully before using. It contains important information concerning your safety and the correct installation. Caution, never open the device by yourself. Refer servicing to qualified staff only.



Notice
Wipe off the dust on the surface with clean soft cloth (or silk). Wipe off the heavy dust on the surface with damp cloth.

The manual was carefully screened in case any of them contained false information. Mecanty takes no responsible for any error or negligence in printing, typesetting, translating. Please accept our apologies for any inconvenience we have caused. The pictures & specifications in this manual are consult only, if there is fluctuation, according to the real object please.



Fi Series

Fi58/Fi115/Fi115A
Fixed Installation line Array System

Global
Reliable
Fine Sound

Thanks for purchasing GRF PRO Loudspeaker. Please read this manual carefully before using.

CAUTION

Please read this manual carefully before using this device. This manual contains important information concerning safety. Please keep the manual in a safe place for future reference.

Please ask professional staff for installation

Any suspension of this device shall request professional staff assistance.
Unqualified staff in suspending this device might cause dropping or accident.

Attention for suspended installations

Attention must be paid to the following.
Please use safety and qualified wire to suspend this speaker.
Please make sure the capacity of the wire is enough for suspending the speaker.
Wire or other suspension material shall be fixed to the wall bracket in good condition.
All the accessories of suspension spare parts shall without any flaw.

Make sure the mounting joint is strong enough

Make sure the hanging accessories and other device to support this suspension is strong enough.
In case of the speaker dropping, please make sure the ceiling joint is powerful and safety.

All of these device shall be installed under 2 qualified staff.

It might cause dropping or accident by one person in installation.

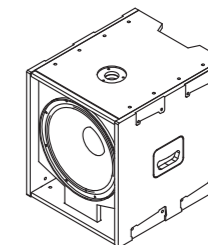
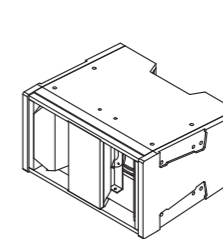


Fi58/Fi115/Fi115A fixed installation line array system

Fi58/Fi115/Fi115A are the best choice of fixed installation line array system, Fi has compact enclosure design, highly integrated, easy installation and economic flying hardware, plus:

1. Optional black or white color to meet many different places
2. Metal & Easy use flying hardware
3. Optional passive or active system
4. DSP with FIR filter technology built-in module.

Fi58 is a combinable two-way linear speaker, it is equipping a 1" exit HF compression driver mounted to a patent designed wave guider which has Seven Sound Path into Semi-olive wave front, it is providing H120° X V 10° dispersion angle. The HF & LF location of the Fi58 is into coaxial structure and it helps a balance and smoothy acoustic performances. Macth with passive Fi115 / active Fi115A subwoofer can extend low frequency sound reinforcement. Slim, beautiful and extremely flexible set up making the system excellent operation and control, with the lowest distortion, high-quality clear high-frequency and powerful low-frequency, the system produces perfect audio sound reinforcement. The system is suitable for theater, School, church, banquet hall, multi-media hall and someother places where request high quality line array speaker system.



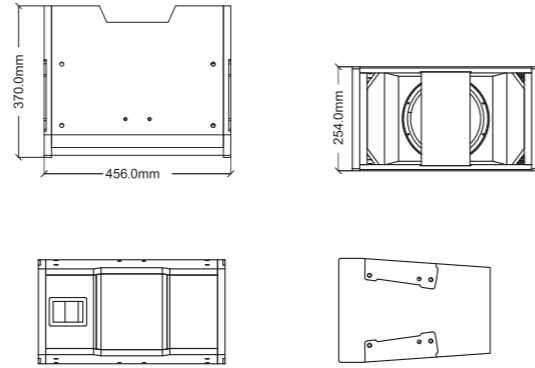
Fi 58 Passive Full Rang Line Array System

LF:1x8",HF:1x1"
Component
60Hz~20KHz(±3dB)
Frequency Response

200W AES
Rated Power
8 ohms
Nominal Impedance

96dB
Sensitivity
119dB
Maximum SPL

120x10°
Dispersion(H x V)



Frequency Response 60Hz~20KHz(±3dB)
Component LF:1x8"(2"voice coil),HF:1x1"(1.75"voice coil)
Rated Power 200W AES
Recommended Amplifier 400W into 8ohms
Sensitivity 96dB
Maximum SPL 119dB/1m
Nominal Impedance 8 ohms
Dispersion 120°Hx10°V
Crossover 2KHz
Enclosure Birch plywood
Finish Black ,scrath paint
Grill Steel grill with black foam
Connectors 2xNeutrik NL4
Dimension(HWD) : 254x456x370mm
N.W. 14 kg

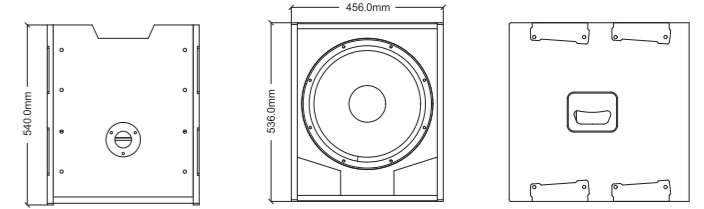
Fi 115 Passive Subwoofer Line Array System Fi 115A Active Subwoofer Line Array System

LF:1x15"
Component
35Hz~140Hz(±3dB)
Frequency Response

350W AES
Rated Power(Fi115)
1000W
Output Power(Fi115A)

97dB
Sensitivity
8 ohms
Nominal Impedance

123dB
Maximum SPL



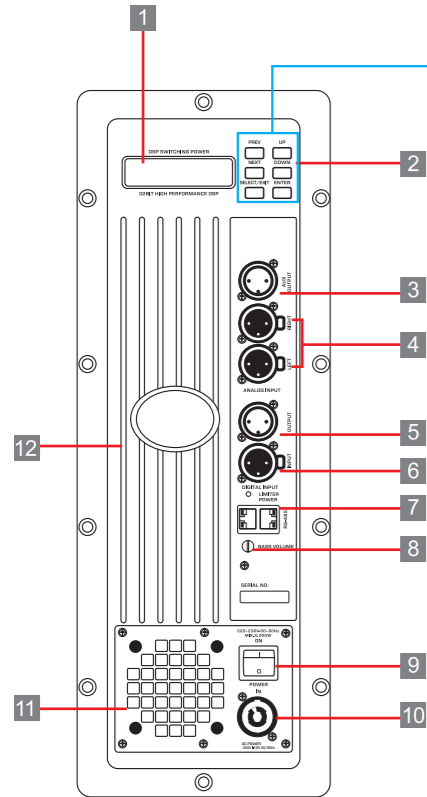
Fi 115

Fi 115A

Frequency Response 35Hz~140Hz(±3dB)
Component LF:1x15"(3"voice coil)
Rated Power 350W AES
Recommended Amplifier 700W into 8ohms
Sensitivity 97dB
Maximum SPL 123dB/1m
Nominal Impedance 8 ohms
Enclosure Birch plywood
Finish Black ,scrath paint
Grill Steel grill with black foam
Connectors 2xNeutrik NL4
Dimension(HWD) : 536x456x540mm
N.W. Fi115:30kg/Fi:115A:34kg

Fi 115A Active Subwoofer

Rear panel instructions

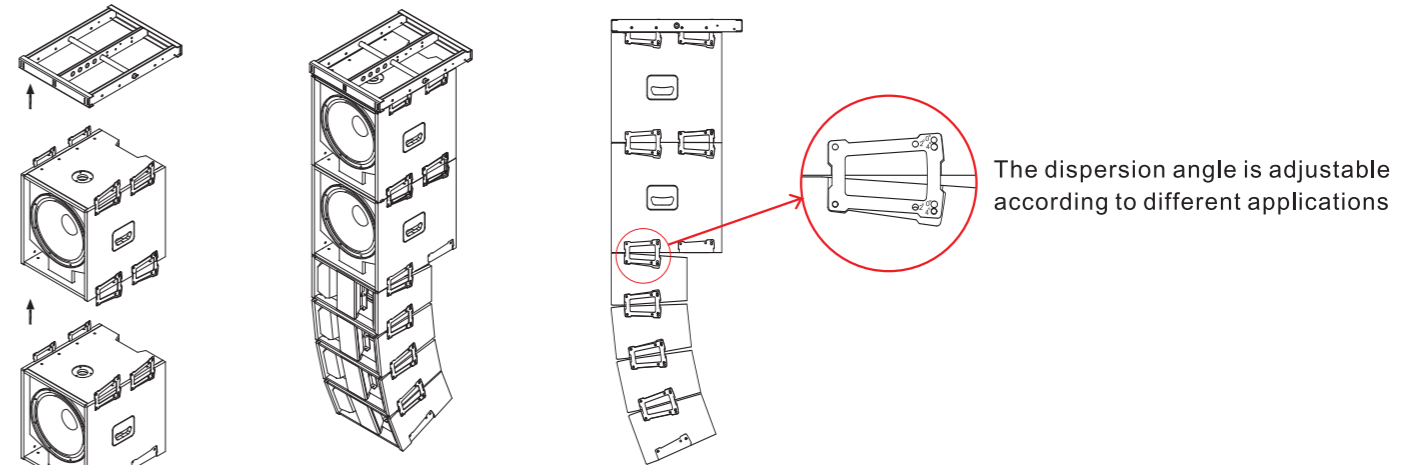


- DSP Factory preset
Select settings step
- 1.Push SELECT/EXIT
(Select Edit)
- 2.Push UP/DOWN
(Select configuration)
- 3.Push ENTER
(Confirm)
- 1.LCD
- 2.MENU
- 3.AUX OUT
- 4.ANALOG INPUT
- 5.DIGITAL OUTPUT
- 6.DIGITAL INPUT
- 7.RS485
- 8.SUB VOL
- 9.POWER ON/OFF
- 10.POWER CORD
- 11.VENTILATION FAN
- 12.HEAT SINK

Fi115A DSP Specifications

Model	Fi115A
Input/output channels	2 in/4 out
Voltage	190V - 260VAC, 50-60 Hz
Maximum current consumption	12 A
Soft starting time	20 Sec .
Power handling @ 8 Ohms THD≤1%	1000W 2x400W
Power handling @ 4 Ohms THD≤1%	1300W 600W
Maximum output voltage	1.3Vp/80Vp/120Vp
Power level gain	33dB/28dB
Frequency Response (8 Ω load, 1 dB below rated power)	20 Hz - 20 KHz(± 0.5 dB)
Slew rate	30V / us
Damping Factor	>300
SNR	>104 dB
Harmonic distortion 1KHz, 8 Ω load, 3 dB below rated power	≤0.2%
Input sensitivity	2.0V (rms)
Input impedance	10 kOhms + 10 KOhms (+/- 1%)
Input	Neutrik XLR
Built-in limiter	ON
Protection	short circuit, overload, low impedance, overheating
Cooling type	High speedy Fan

Installation Guidance Fi58 & Fi115A Line Array Hanging System Installation sketch map



Configuration Diagram

